



DEFENCE UNEXPLODED ORDNANCE WEBSITE ORDNANCE INFORMATION SHEET

**ALL UXO MAY BE HAZARDOUS IF DISTURBED
DO NOT TOUCH – TAKE A PHOTO – MARK THE LOCATION – CALL THE POLICE**

PRACTICE BOMB – 10 POUND

Description

- ☠ The UK/Commonwealth 10 Pound Practice Bomb was used in Australia primarily during WWII to train air crews in bombing. When the bomb hit the ground, a small bursting charge would rupture the case and cause the contents to be ignited so that the aircrews could observe where their bombs had fallen.
- ☠ The 10 Pound Practice Bomb has a solid cast-iron nose – three different types ('Marks'/Mk) were produced:
 - **Bomb Mk I** - smoke filling used for daytime bombing practices.
 - **Bomb Mk II** - had a plastic tail, but was not satisfactory so all were reportedly scrapped.
 - **Bomb Mk III** - flash filling used at night.
- ☠ Unexploded items of this type are most often found in/near areas used by air forces for bombing practice or air force bases however may occasionally be found in other areas that were used for military training. UXO are typically found on the surface or shallow-buried (<0.5m).

Technical Data

- ☠ Overall length : 460mm (18 inches)
- ☠ Body diameter : Maximum diameter 76mm (3 inches)
- ☠ Total weight : approx 4.5 kg (10 pounds)
- ☠ Fuse/Burster : Contains an explosive fuse and bursting charge.
- ☠ Filling : Mk I & II - Smoke filling – 0.45 kg (1 lb) Titanium Tetrachloride.
Mk III - Flash filling - 0.45 kg (1 lb) mixture of gunpowder and magnesium turnings which causes a brilliant white flash.
- ☠ Identification :
 - Usually white overall, with two 13mm (½ inch) green bands around the tail cone.
 - Practice bombs containing an exploder may also have a red band painted around the rear portion of the body.
 - Other colours may have been used or colours may have faded over time - **Treat all found munitions as dangerous.**

Images

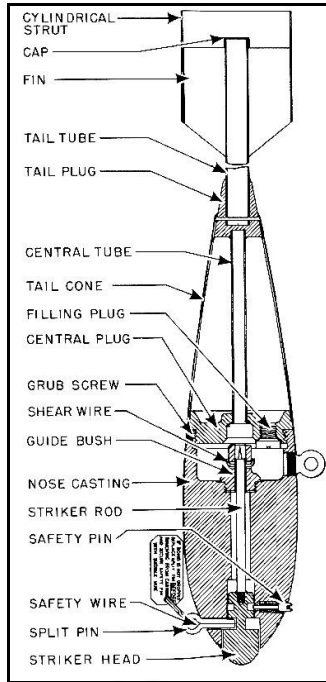


Figure 1 - Construction of 10lb Practice Bomb

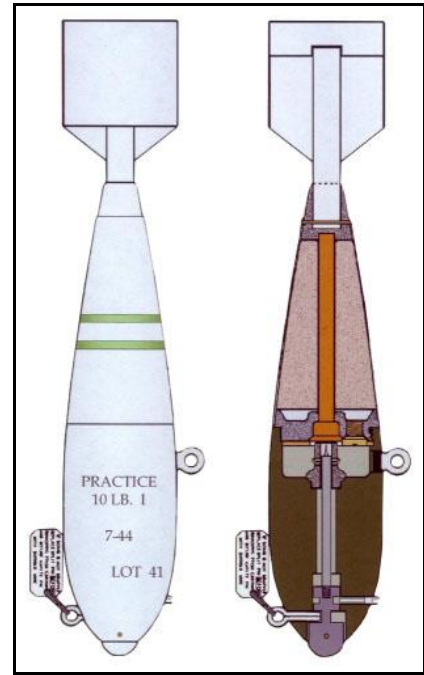


Figure 2 - UK/Commonwealth 10lb Practice Bomb

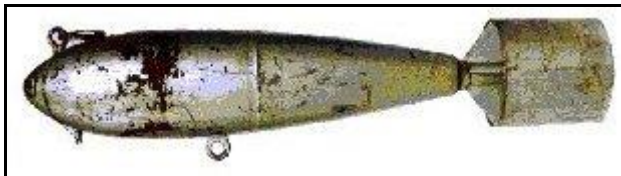


Figure 3 - Recovered UK/Commonwealth Practice Bomb

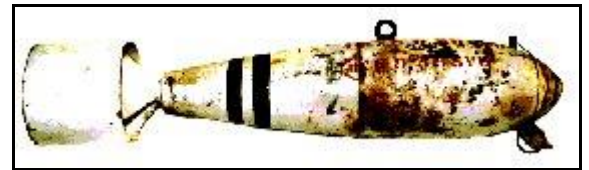


Figure 4 - Recovered UK/Commonwealth Practice Bomb



Figure 5 - Inspecting RAAF practice bombs before removal to an explosives filling factory in South Australia in 1943 (Photographer: Smith, D. Darian)
Sourced from State Library of South Australia (unmodified) <http://creativecommons.org/licenses/by/4.0/>